

FEATURES AND SPECIFICATIONS

Features and Benefits

- Fully enclosed contact box
- Contact and plating orientation according to DIN 41651
- North/south contact orientation avoids overstress

Reference Information

Product Specification: PS-99020-0001
 Packaging: Chain or bag
 Mates With: 0.64mm (.025") square pins
 Use With: 90123, 90142, 90143, 90156 and 90160
 Designed In: Inches

Electrical

Voltage: 350V
 Current: 3.0A
 Contact Resistance: 20mΩ max.

Mechanical

Contact Retention to Housing: 15N (1.5kgf)
 Normal Force: 1N

Physical

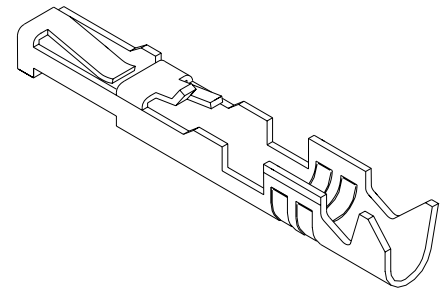
Contact: Copper Alloy
 Plating: See Table
 Wire Range: 22 to 24 and 26 to 28 AWG
 Wire Insulation Diameter: 1.70mm (.067") max.



2.54mm (.100") Pitch C-Grid III™ Terminal

90119

Female Crimp

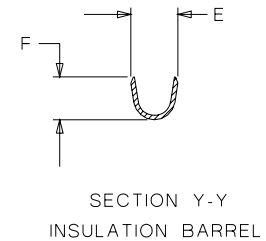
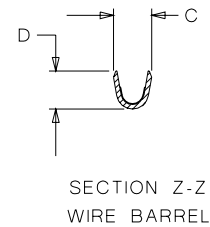
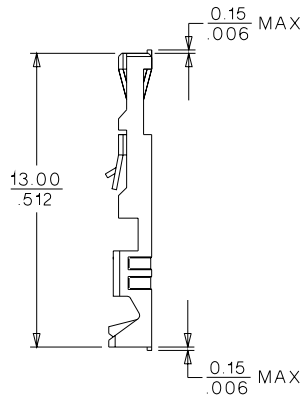
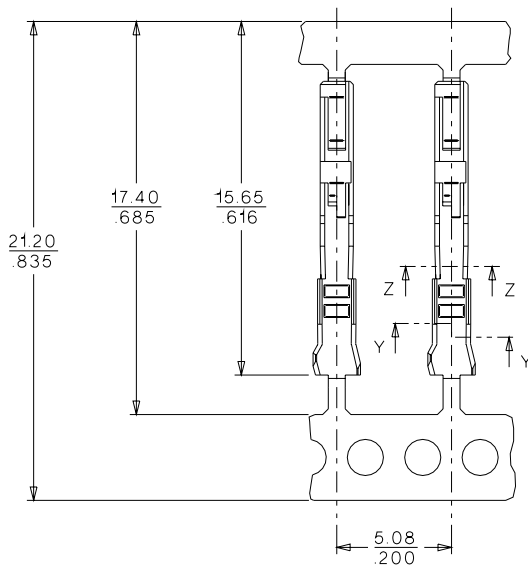


C

2.54mm (.100") Pitch

CATALOG DRAWING (FOR REFERENCE ONLY)

Not For Use With Molex SL™ Components



ORDERING INFORMATION AND DIMENSIONS

Order No.	Plating Option	Form	Wire Size (AWG)	Insulation Diameter Range	Dimension			
					C	D	E	F
• 90119-0109	A	Chain—Left Hand Feed	22-24	1.02/1.47 (.040/.058)	1.70 (.067)	1.70 (.067)	2.10 (.083)	1.90 (.075)
• 90119-0110	E							
• 90119-0111	F							
• 90119-0120	A		26-28	0.76/1.22 (.030/.048)	1.37 (.054)	1.37 (.054)	2.00 (.079)	1.70 (.067)
• 90119-0121	E							
• 90119-0122	F							
90119-2109	A	Bag	22-24	1.02/1.47 (.040/.058)	1.70 (.067)	1.70 (.067)	2.10 (.083)	1.90 (.075)
90119-2110	E							
90119-2111	F							
90119-2120	A		26-28	0.76/1.22 (.030/.048)	1.37 (.054)	1.37 (.054)	2.00 (.079)	1.70 (.067)
90119-2121	E							
90119-2122	F							

• Molex European standard product, usually available within shorter lead times

For other available versions contact Molex

Plating A: 1.00µm (39µ") min. Hot Tin dip

Plating E: 0.38µm (15µ") selective Gold over Nickel and 4µm (160µ") Tin/Lead over Nickel

Plating F: 0.76µm (30µ") selective Gold over Nickel and 4µm (160µ") Tin/Lead over Nickel